

GEOSPORT™ LIGHTING

ELITE CLR™ SERIES
CANDELA LUMEN INTENSITY REFINEMENT





SYSTEM SPECIFICATIONS

High Performance Sport Lighting System

Housing Material: Aluminum Powder Coated

Power Factor: 0.95

CLIR Module: Open OR Closed

THD: <15%

System Watts: 630W

Input Protection: 10kA Current Surge

CCT: 5700K

Driver: Integral / Remote

CRI: >70Ra

Operating Temp Range: -40° C to +55° C

Input Voltage: 208-480V

IP Rating: IP66 / IP68

Weight of Fixture: 32 lbs

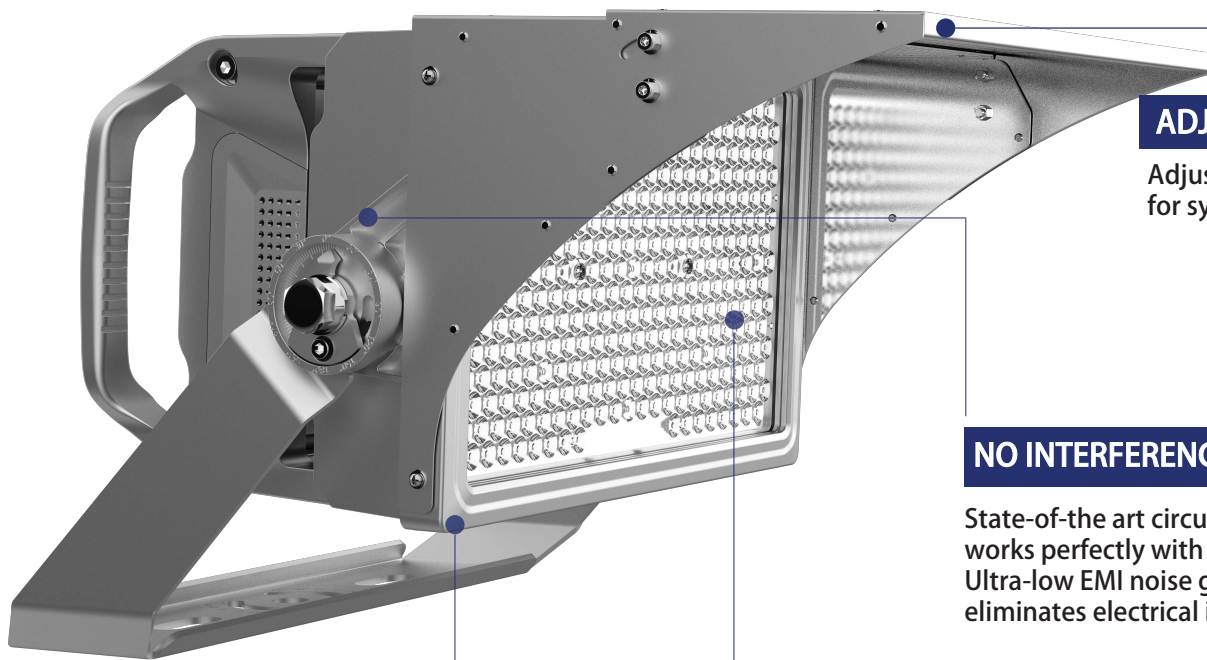
Beam Angle: Narrow/Medium/Wide/Extra Wide

EPA: 1.4



GEOSPORT™ LIGHTING

ELITE CLIR™ SERIES



ADJUSTABLE

Adjustable CLIR™ Module for system tuning.

NO INTERFERENCE

State-of-the art circuit system which works perfectly with other systems. Ultra-low EMI noise generation eliminates electrical interference.

OPTICS

Advanced, free-form, optics designed with unique "multi-scales lenses" to create uniform light distribution and glare-reduction. Advanced materials maximize light output.

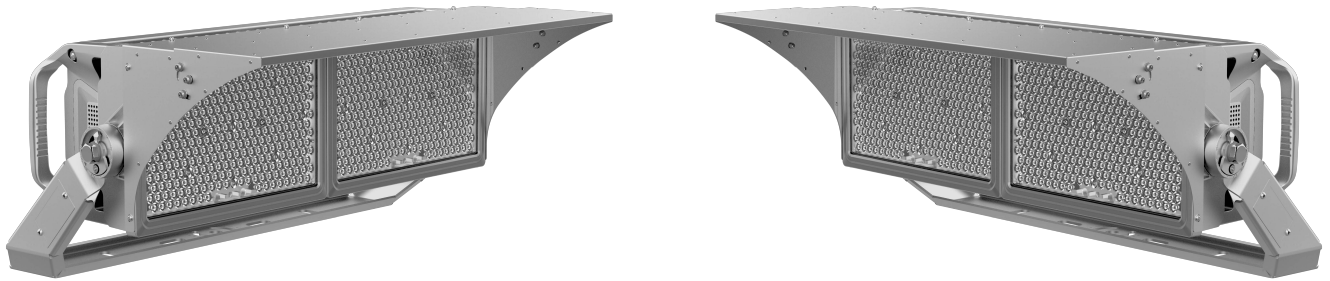
SOLID STATE DESIGN

Unique "SSD" design, simple and advanced. Ensures durability of LED chip. All parts are individual, rugged and strong.

CLIR SERIES DESIGN

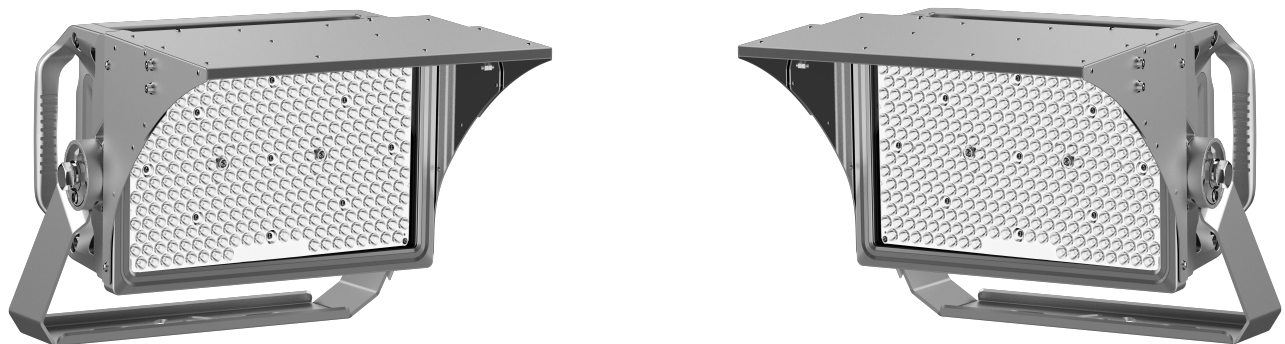
CLIR-OM SERIES
Open Module

(1260W SHOWN)



CLIR-CM SERIES
Closed Module

(630W SHOWN)





WWW.GEOSPORTLIGHTING.COM
1-877-663-5968

